



Working beyond today's challenges
PRODUCT CATALOG

APP
MANUFACTURING



CHALLENGEN

Make more possible

WHO WE ARE

We're a company that works to unleash the greatest potential in ourselves and in the clients and businesses we serve. We provide the industry's most advanced piping products, and pair those products with a true investment in your success.

Our goal is to help you move your business ahead. That means working together toward increased potential; not stopping once we've reached the status quo. That means the kind of knowledge sharing and education that will allow you to go forward confidently — with or without us at your side. The ability and willingness to make more possible — that's what APP delivers.

WHAT WE DO

We design, manufacture, and stock advanced pipe supports and products, each one rigorously tested, meeting exacting industry standards, easy to install, durable, and incredibly effective against pipe corrosion. These are the surface benefits that will save you time and money.

As a company, we strive to build on those attributes, offering you the benefit of our in-depth knowledge, and a productive relationship that will last as long as our piping products do. (And that's a long time.)



LEARN MORE AT APPMFG.COM // 1



Products that go above and beyond

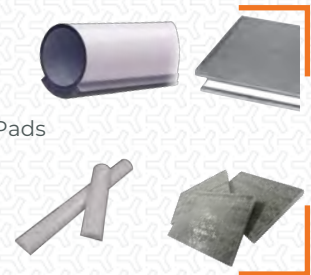
Better products don't just happen. They're the result of a serious investment in solving someone's problems. At APP, we make those investments daily. We work closely with our partner clients to solve the challenges they face today, then proactively look for the challenges that lie ahead. And through conversation, innovation, and cooperation, we solve those, too. Better products are a natural byproduct of our approach.

COMPOSITE ISOLATORS

Isolators are a cost-effective way to protect uninsulated piping systems from many of the common issues piping systems face like metal to metal contact, friction damage, and galvanic corrosion.

PG

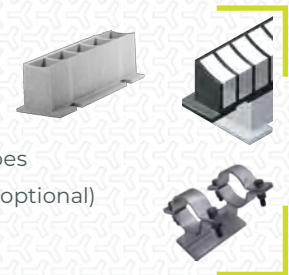
- 4** ProTek Composite Wear Pads
- 5** ProTek Flat Plate
- 6** ProTek Rod
- 7** ProTek Slide Plates



PIPE SHOES

APP pipe shoes are the premier solution to support your elevated piping. Our composite pipe shoes are the best solution for elevated pipe, with or without insulation. We also fabricate metallic pipe shoes per your spec and offer lined options as well.

- 8** CryoTek Pipe Shoes
- 9** ProTek Composite Pipe Shoes
- 10** T-Style Pipe Shoes (clamps optional)

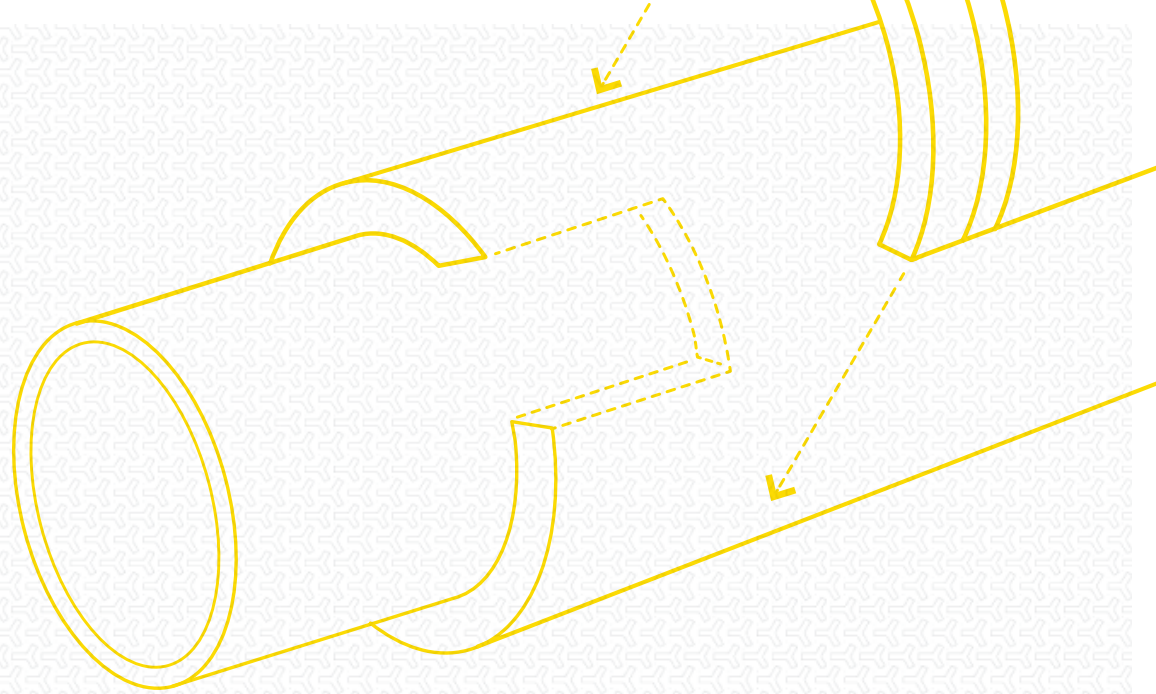


PIPE RESTRAINTS

Restraining pipe movement in process systems is key to extending the life of many of the components. While some applications call for prohibiting movement, others require specialized clamping devices that allow controlled movement.

- 11** Lined Hold Down Clamps
- 12** Lined Hold Down Straps
- 13** U-Bolts (ProTek Rods Optional)





PIPE HANGERS

Our complete range of steel pipe clamps, clevis hangers, and structural attachment and beam clamps is sure to meet your needs and exceed your expectations.

PG

- 14 Pipe Hangers – Steel Pipe Clamps, Structural Attachments, Hanger Rods and Attachments



OTHER FABRICATED SUPPORTS

APP offers custom fabrication to meet you specs like adjustable supports, pipe stands, dummy legs, and stanchions. If corrosion resistance is a concern, we also offer lined options

- 15 Fabricated Supports



ACCESSORIES

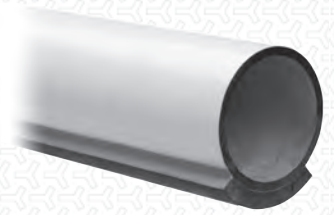
Our Epoxy and Banding Systems are designed to enhance the effectiveness of our products. From high-strength, chemical-resistant epoxy to corrosion-resistant stainless steel banding, these components contribute to a longer life for your system.

- 16 Epoxy System
- 17 Banding System

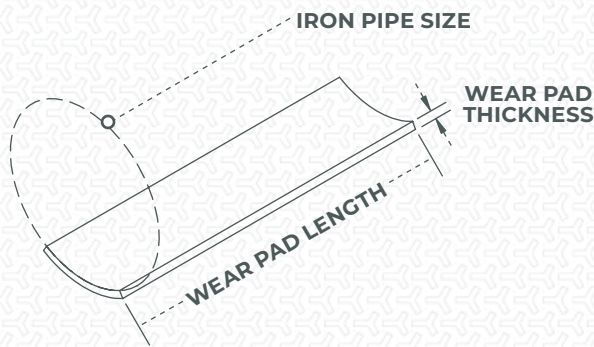


- 18 RFQ Checklist

ProTek Composite Wear Pad



ProTek Composite Wear Pads are designed to prevent metal-to-metal contact in piping systems. They effectively isolate the pipe from contact with I-Beams, guides or concrete supports. These areas are the most susceptible to corrosion and cost millions to repair and maintain. Our wear pads are the most cost-effective solution to piping system corrosion.

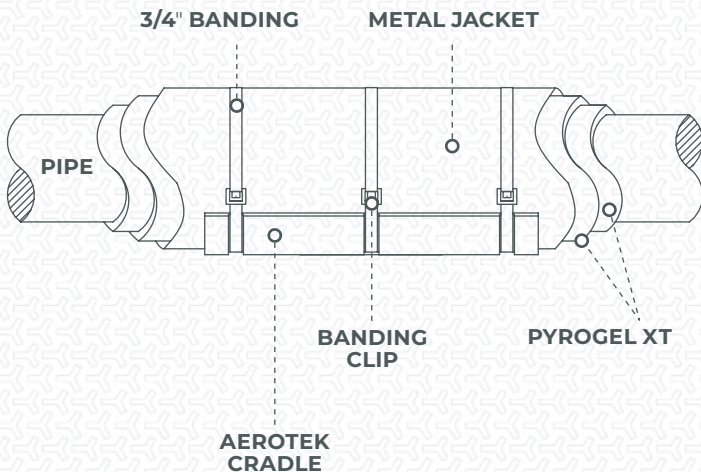


BENEFITS

- » Low cost of installation: no welding, hot work permits or highly skilled personnel required
- » Product minimizes maintenance and operational costs throughout the lifetime of the piping system
- » Wear Pad inside diameter (ID) precisely matches outer diameter of pipe
- » Wear Pad ID is pre-roughened for exceptionally high epoxy-to-wear pad bonding strengths as verified by ASTM D5528-01
- » APP provides on-site installation training and inspection services for all fabricators, constructors and end users that install our products at no charge

OPTION FOR INSULATED PIPES:

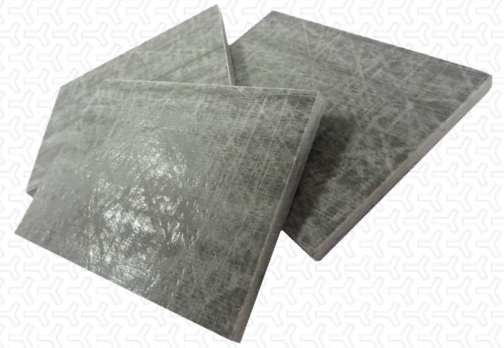
AeroTek Cradle



SPECIFICATIONS

COMPOSITION	APP-VEFR/EFR
MAX COMPRESSIVE STRENGTH	53,000 lbs. per ASTM E8
TEMPERATURE RANGE	-320°F to +400°F
INSTALLATION	EX-100 Epoxy System
REQUIRED ACCESSORIES	Epoxy, static mixing nozzle, manual dual epoxy applicator
CUSTOM MANUFACTURING	Available in any thickness, degrees of coverage and length

ProTek Flat Plate



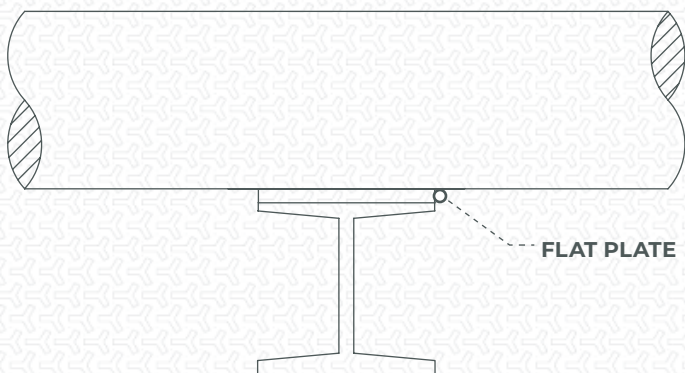
ProTek Flat Plate is made from the same corrosion resistant composite material as our ProTek Wear Pads. The flat plate is best suited for use on flat surfaces and it can be used in multiple applications, such as a non-metallic bearing surface for corrosion prone areas. If a low coefficient of friction is needed, it can be bonded to a PTFE sheet and act as a slide plate. In addition to being corrosion resistant, the flat plate only takes minutes to be installed.

BENEFITS

- » Protects structure or surface from wear caused by pipe movement or other forces
- » Low cost of installation: no welding, hot work permits or highly skilled personnel required
- » Product helps minimize maintenance and operational costs throughout the lifetime of the piping system
- » Can be adhered on any flat surface or structure
- » Product can also be used as a shim to correct for height inconsistencies
- » Made of polyester resin that is fire retardant (certified to meet ASTM E-84 flame spread "Class 1" rating [less than 25 on Flame Spread Index])
- » UV inhibitors added to resin (light stabilizer that protects resin from long-term degradation effects from ultraviolet light) as well as complete surface veil to provide maximum chemical and UV protection.

SPECIFICATIONS

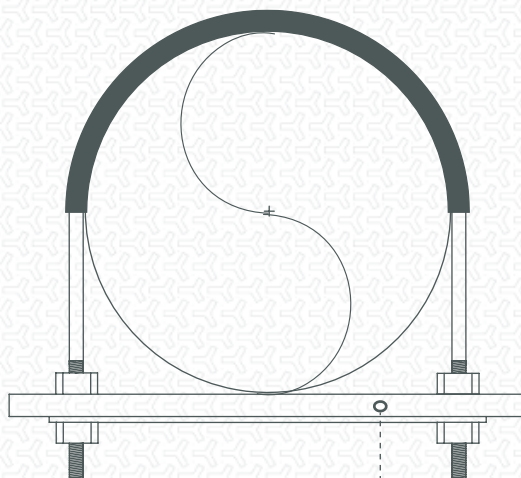
COMPOSITION	APP-PEFR
MAX COMPRESSIVE STRENGTH	54,000 lbs. (ASTM E8)
TEMPERATURE RANGE	-60°F to +400°F
INSTALLATION	Epoxy (EX-100)
REQUIRED ACCESSORIES	Epoxy, static mixing nozzle, manual dual component applicator
CUSTOM MANUFACTURING	Available in custom sizes



ProTek Rod



ProTek Rods serve as a barrier between a metallic pipe and the metallic support. The ProTek Rod is made out of a durable thermoplastic material. It effectively prevents pipe corrosion by inhibiting a corrosion cell from forming, thus prolonging the life of your piping system.



PROTEK ROD
HALF ROUND

HALF ROUND



FULL ROUND



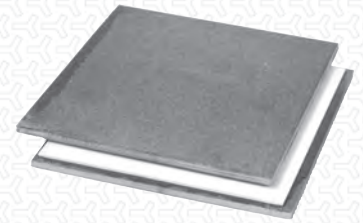
BENEFITS

- » Prevents galvanic corrosion
- » High strength
- » High temperature resistance
- » Low coefficient of friction, which protects the pipe coating by limiting abrasion
- » Low moisture absorption
- » Good creep resistance

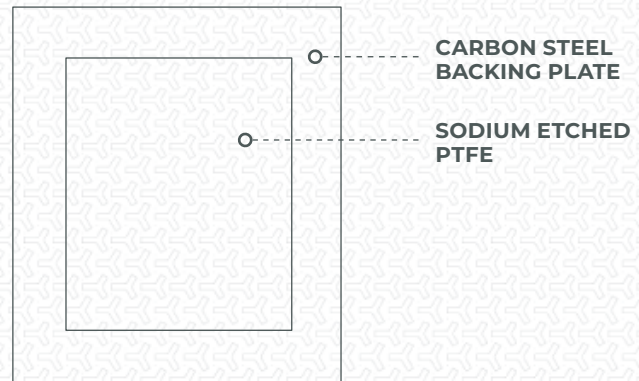
SPECIFICATIONS

COMPOSITION	Thermoplastic (acetal homopolymer)
TENSILE STRENGTH (ASTM D368)	9,500 psi
ELONGATION (ASTM D368)	30%
FLEXURAL STRENGTH (ASTM D790)	12,000 psi
SHEAR STRENGTH (ASTM D732)	8,000 psi
COMPRESSIVE STRENGTH (ASTM D695)	15,000 psi
IZOD IMPACT STRENGTH (ASTM D256)	1.0 ft-lbs/inch
TEMPERATURE LIMIT	Continuous service up to 180°F
MELTING POINT	335°F
POTENTIAL ACCESSORIES	ProTek Coated U-Bolt
INSTALLATION	ProTek Rod is anchored to a structural support with either the ProTek U-Bolt or a standard bolt.
CUSTOM MANUFACTURING	Available in various lengths.

ProTek Slide Plates



ProTek Slide Plates are bearing surfaces engineered to reduce the friction and wear of various structural components at expansion and contraction joints. They can be used in multiple applications such as in the support of heavy piping, equipment, bridges, and other structural members. The ProTek Slide Plates can be constructed from various materials and in different sizes to best meet your needs.

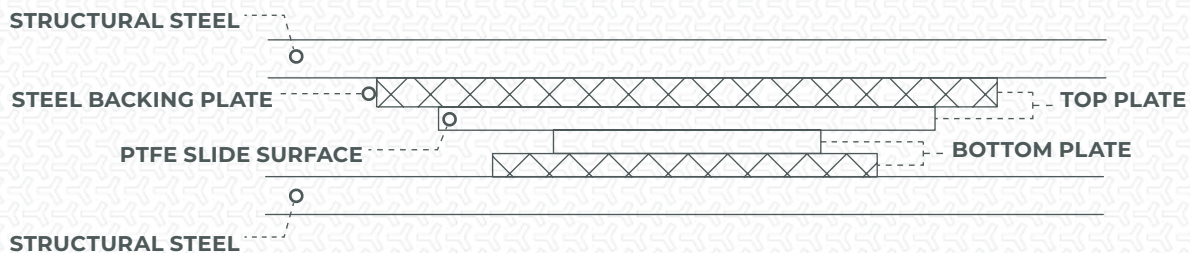


BENEFITS

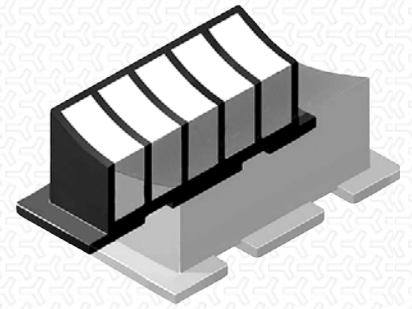
- » Product prolongs the life of your structural components
- » The metallic and PTFE combination delivers robust support, while providing a low friction surface for the object to move along
- » Sodium-etched PTFE is used for optimal adhesion, which prevents delamination
- » Custom manufacturing to best meet your needs

SPECIFICATIONS

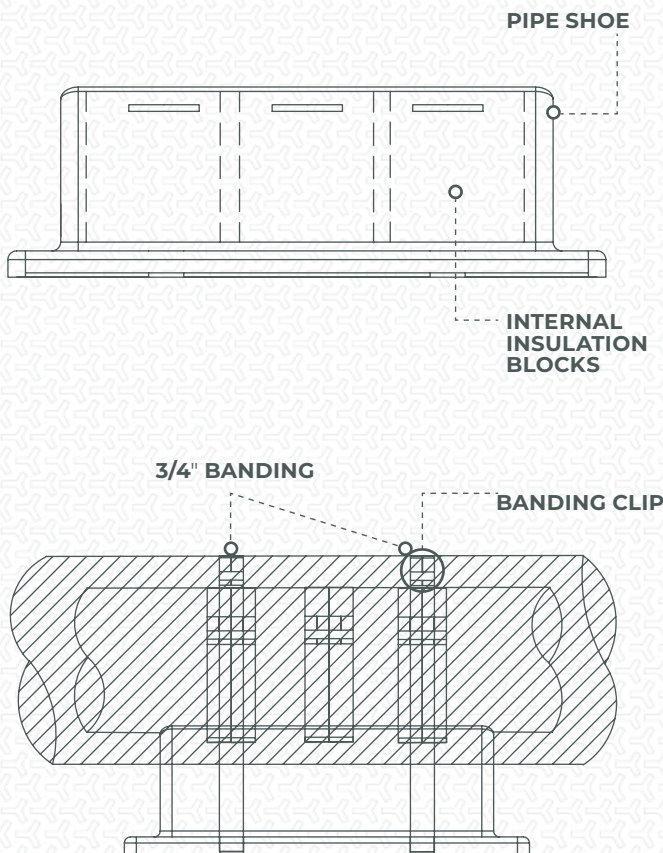
COMPOSITION	Sodium-etched PTFE bonded to 10 guage carbon steel. (FRP or stainless steel available upon request.)
INSTALLATION	ProTek Slide Plates are welded to steel components.
CUSTOM MANUFACTURING	Both backing plates and slide surfaces are available in different thicknesses and materials.



CryoTek Pipe Shoe



The CryoTek Pipe Shoe is a non-metallic pipe support solution for extreme temperature conditions, offering unparalleled, reliable performance in temperatures between -320°F and +400°F. It is ideal for elevated piping and cryogenic piping systems that involve gas liquefaction, LNG terminals/carriers, ethylene plants.



BENEFITS

- » Composite VEFR technology does not promote temperature transfer, preventing ice formation and fluctuation in system temperature
- » Eliminates steel shoe multi-layer insulation requirement, which can delaminate over time
- » Resin system is UV resistant, does not support heat combustion and can be combined with an intumescent coating to resist temperatures of 2,000°F for up to two hours
- » Installation takes a fraction of the time of traditional pre-insulated metallic supports
- » Lightweight. Can be installed and/or transported without the use of heavy-lift equipment
- » Safely encapsulates the fragile insulation used in cryogenic piping systems, preventing costly repairs

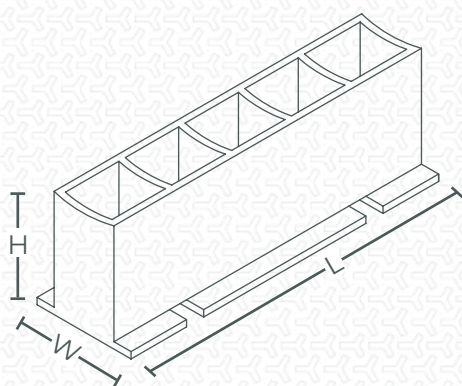
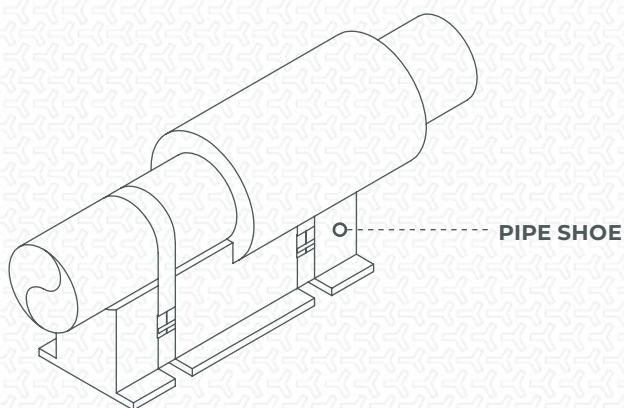
SPECIFICATIONS

COMPOSITION	Monolithic unit, molded under vacuum from continuous strand glass mat in a hybrid thermosetting resin around a core of low-density polyurethane foam insulation
MAX COMPRESSIVE STRENGTH	27,500 lbs. per square inch
TEMPERATURE RANGE	-320°F to +400°F
INSTALLATION	EX-100 Epoxy Sytem
REQUIRED ACCESSORIES	Epoxy; static mixing nozzle; manual dual component applicator; steel bands, banding clips and banding tool
CUSTOM MANUFACTURING	Available in any diameter, width, height and length

ProTek Composite Pipe Shoe



ProTek Composite Pipe Shoe is a UV-resistant, non-metallic solution for elevated or insulated piping systems at the support points. It has 150,000 lbs. of compressive strength, a temperature range of -320°F to +400°F and is resistant to chemical attack. It is the optimal support for insulated or elevated piping systems in plants or refineries, both onshore and offshore.



THREE STANDARD DIMENSIONS:

12" L x 4" W x 4" H
(1/2" thru 3" pipe)

14" L x 5-1/2" W x 4" H
(4" thru 18" pipe)

18" L x 5-1/2" W x 6" H
(4" thru 18" pipe)

BENEFITS

- » Resilient to chemical and UV attack
- » Our composite, non-conductive material does not promote heat transfer, unlike metallic shoes, keeping the line at a constant temperature
- » Lightweight composite material allows for ease of installation and transportation
- » Installed using two stainless steel bands, effectively eliminating the need for welding and avoiding metal-to-metal contact. Can be installed in a fraction of the time it takes to install a metallic shoe and does not require skilled labor

SPECIFICATIONS

COMPOSITION	APP-VEFR
MAX COMPRESSIVE STRENGTH	150,000 lbs.
TEMPERATURE RANGE	-320°F to +400°F
INSTALLATION	The pipe is fastened to the shoe by stainless steel bands.
REQUIRED ACCESSORIES	Steel bands, banding clips and banding tool, silicone
CUSTOM MANUFACTURING	Available in any pipe diameter, height and length

T-Style Pipe Shoes

Our T-Style Pipe Shoes are used on elevated piping systems. Whether you need a weld on or clamp on the shoe, we fabricate many different designs of T-Style shoes to best meet your needs. We also offer heavy duty to support larger piping systems. Additional options include banding slots and liner.

WELD-ON SHOES



FIGURE 3000
A standard T-Slide Metallic Pipe Shoe and is welded onto the pipe.



FIGURE 3100
Welded onto the pipe and has gusset plates to provide extra support.



FIGURE 3200
Welded onto the pipe.

U-BOLT-ON SHOES



FIGURE 3010 / 3011*
Fabricated with two cradles and comes with two u-bolts to hold the pipe in place.



FIGURE 3110 / 3111*
Fabricated with two cradles and comes with two u-bolts to hold the pipe in place. Gusset plates provide extra support.



FIGURE 3210 / 3211*
Fabricated with two cradles and comes with two u-bolts to hold the pipe in place.

BOLT/CLAMP-ON SHOES



FIGURE 3020 / 3021*
Fabricated with two clamps to hold the pipe in place.



FIGURE 3120 / 3121*
Fabricated with two clamps to hold the pipe in place and has gusset plates to provide extra support.



FIGURE 3220 / 3221*
Fabricated with two clamps to hold the pipe in place.

Lined Hold Down Clamp



APP's Hold Down Clamps are robustly built to withstand heavy load scenarios that are experienced in high stress environments such as compressor stations, vibrating or surging pipelines, or vertical applications. As the pipe size increases - the width is extended and gussets are added for extra support. Our clamps can be used as guides or anchors based on the bolt holes and can also accommodate height variances for custom support needs. The standard clamp specification is engineered to exceed our customers' expectations and prevent facility downtime due to restraint failures. We can line our clamps with your choice of lining materials, from Fabreeka® and Neoprene to sodium etched PTFE, there is no limitation to our services.

OPTION FOR LINED HOLD DOWN CLAMPS:

VibraTek Hold Down Clamp

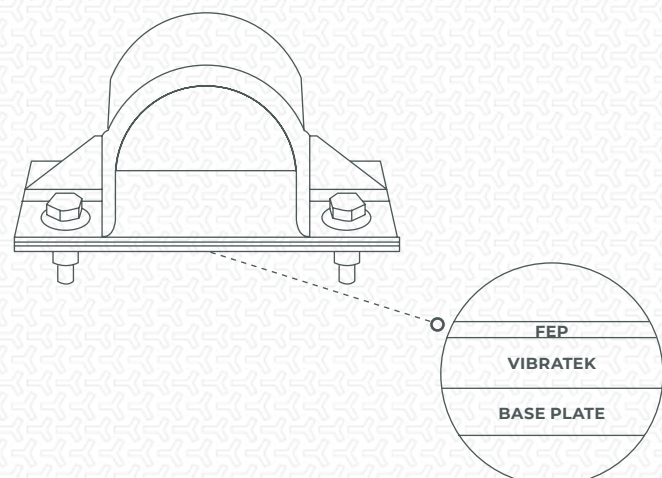
APP's VibraTek Hold Down Clamp is the premier solution to problems associated with vibration in piping systems. Our proprietary VibraTek liner is constructed to absorb vibration from compressors and reciprocating equipment to prolong the life of your piping system. We incorporate specialized fiber-backed Teflon to the VibraTek lining to add a low-coefficient of friction to its vibration dampening qualities.

BENEFITS

- » Prevents unwanted and unaccounted for stress to piping and structural components
- » Liners are molded to the clamp's inside diameter, ensuring consistent thickness and secure bond
- » VibraTek does not harbor moisture due to its hydrophobic and non-porous properties, significantly reducing the occurrence of corrosion
- » HB-Teflon does not delaminate due to the strong mechanical bond created by fibers infused during manufacturing

SPECIFICATIONS

COMPOSITION	Carbon Steel or Stainless Steel
LINER	VibraTek, Neoprene, PTFE, Fabreeka®
MAX COMPRESSIVE STRENGTH	20,000 lbs.
TEMPERATURE RANGE	Dependent on Liner
INSTALLATION	Field install
REQUIRED ACCESSORIES	None
CUSTOM MANUFACTURING	Will fabricate to your specific dimensions



Lined Hold Down Strap



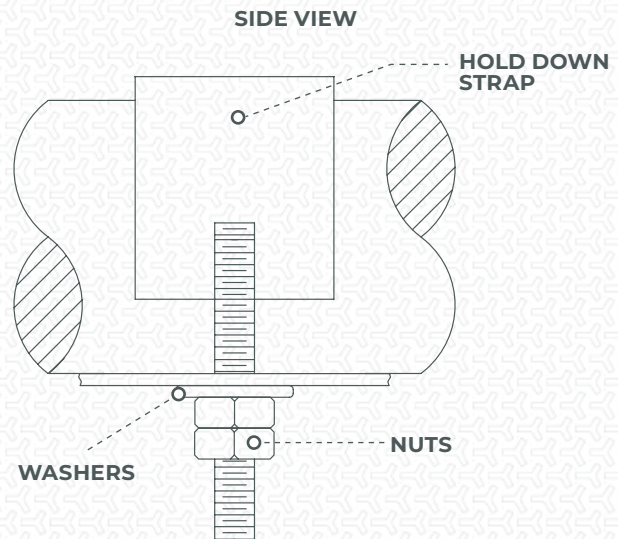
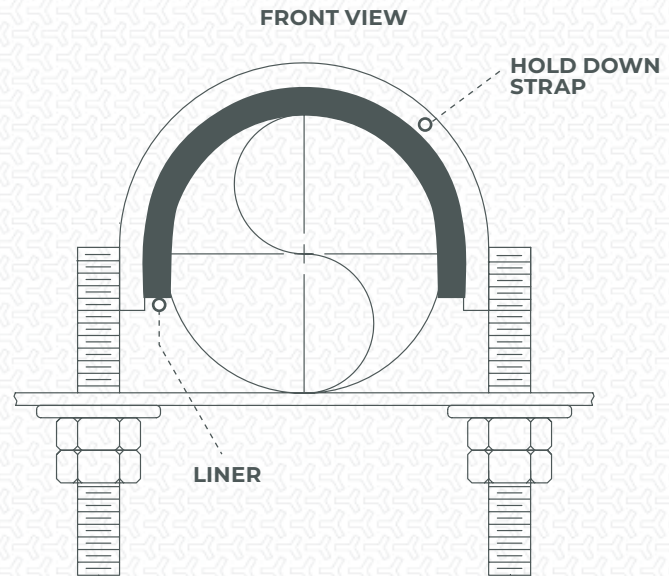
Our lined Hold Down Straps are the perfect medium restraint solution. They are designed to protect the coating of uninsulated carbon steel pipes while keeping the pipe securely in place. Options include half threaded or full threaded, along with an array of metals and finishes. Liner options include but are not limited to: VibraTek, Fabreeka®, Neoprene, and sodium etched PTFE.

BENEFITS

- » Eliminates metal-to-metal contact, preventing corrosion, and extending the life of the piping system
- » Liner is molded directly into the strap inner diameter to ensure high quality performance
- » Since the liner is not bonded but molded, there is no concern for delamination
- » Our liner contains UV inhibitors to protect against UV attack

SPECIFICATIONS

COMPOSITION	Carbon Steel or Stainless Steel
LINER	VibraTek, Neoprene, PTFE, Fabreeka®
TEMPERATURE RANGE	Dependent on liner
INSTALLATION	Field install
REQUIRED ACCESSORIES	None
CUSTOM MANUFACTURING	Other sizes and special configurations available upon request. Metal can be galvanized, Xylan coated or Teflon coated.



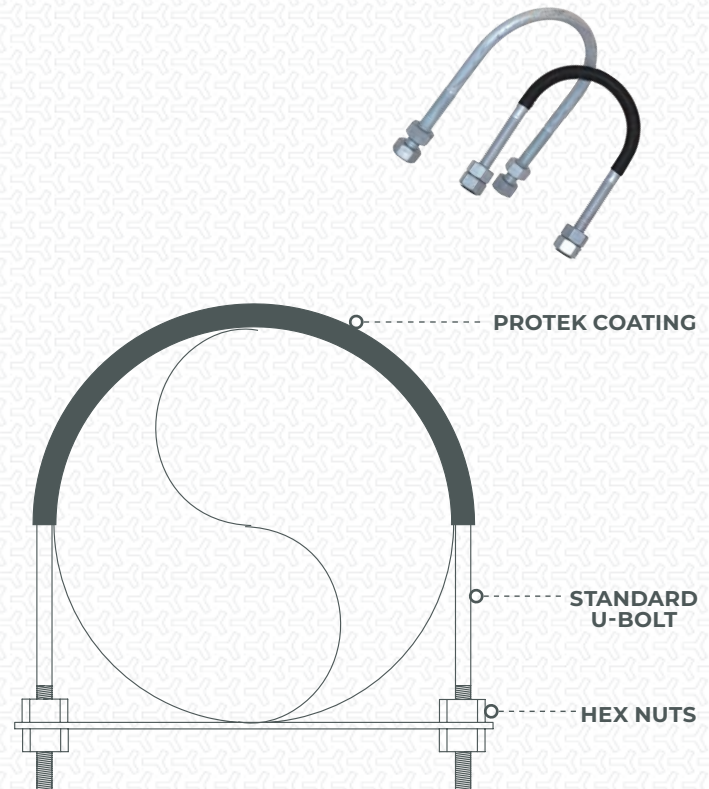
U-Bolts

APP's stocked U-Bolts are built to the standard Grinnell figure 137 specifications and come hot dipped galvanized with nuts included. U-Bolts act as the simplest but also the most widely used pipe guiding restraint. Custom finishes and materials include: Carbon steel, Stainless Steel, Xylan or Teflon coated. Custom sizes are readily available upon request including variable: rod thickness, width, length, and thread length. APP also offers the option to add a buffer pad to the U-Bolt package. Options include: ProTek Flat Plate, ProTek Rod, Neoprene, or PTFE.

OPTION FOR U-BOLTS:

ProTek U-Bolts

APP's ProTek U-Bolts are in stock and combine the strength and simplicity of a u-bolt with our advanced polymer technology. They successfully restrain the pipe while shielding it from metal to metal contact and rough abrasion from pipe movement. The ProTek coating is strong enough to withstand high compressive loads and harsh environmental conditions, but has a low coefficient of friction to seamlessly cradle the pipe.



BENEFITS

- » Eliminates metal to metal contact that could damage pipe coatings and lead to corrosion
- » Coating has a low coefficient of friction to allow pipe movement
- » Low cost of installation
- » Product helps minimize maintenance and operational costs throughout the lifetime of the piping system
- » Can be used on any type of pipe.

SPECIFICATIONS

COMPOSITION	Carbon Steel or Stainless Steel
TENSILE STRENGTH (ASTM D412)	1,500 lbs. per square inch
TEMPERATURE RANGE	-67°F to 230°F
INSTALLATION	Four heavy hex nuts
POTENTIAL ACCESSORIES	ProTek Rod, ProTek Package (ProTek Wear Pad and ProTek Flat Plate)

CUSTOM MANUFACTURING	Available in custom sizes and metal finishes including stainless steel, teflon coated and cadmium coated.
-----------------------------	---

Pipe Hangers



STEEL PIPE CLAMPS & CLEVIS



FIGURE 260
Adjustable Clevis Hanger
Size Range: 1/2" - 30"



FIGURE 300
Adjustable Clevis Hanger
for Insulated Lines
Size Range: 3/4" - 12"



FIGURE 261
Extension or Riser Clamp
Size Range: 3/4" - 24"



FIGURE 40
Riser Clamp Standard
Size Range: 2" - 24"



FIGURE 100
Extended Pipe Clamp
Size Range: 1/2" - 8"



FIGURE 212
Medium Pipe Clamp
Size Range: 1/2" - 30"



FIGURE 216
Heavy Pipe Clamp
Size Range: 3" - 42"



FIGURE 295
Double Bolt Pipe Clamp
Size Range: 2" - 24"

STRUCTURAL ATTACHMENTS & BEAM CLAMPS



FIGURE 55 & 55L
Structural Welding Lug
Sizes (55): 1/2" - 3-3/4"
Sizes (55L): 1/2" - 2"



FIGURE 66
Welding Beam
Attachment
Size Range: 3/8" - 3-1/2"

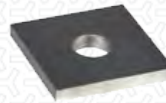


FIGURE 60
Steel Washer Plate
Size Range: 3/8" - 3-3/4"



FIGURE 133
Std. Duty Beam Clamp
Size Range: 4" - 12"

HANGER RODS & ATTACHMENTS



FIGURE 146
Continuous Thread Rod
Size Range: 1/4" - 1-1/2"



FIGURE 290
Weldless Eye Nut
Size Range: 3/8" - 2-1/2"



FIGURE 299
Forged Steel Clevis
Size Range: 3/8" - 3-3/4"



FIGURE 230
Turnbuckle
Size Range: 3/8" - 2-1/2"

Other Fabricated Supports

Although composite pipe supports have a wide range of benefits and applications, APP understands there are times when the industry requires a broad aggregate of metallic pipe supports to meet your project's needs. Process temperatures and design parameters may require physical properties that are beyond the scope of composite materials. This is why APP offers a selection of metallic pipe supports custom fabricated to meet individual customer specs.



FABRICATED SUPPORTS

» STANCHIONS

A pipe stanchion is a rigid support that prevents movement in the piping systems in any direction; upward, downward, or sideways without allowing any rotation in the system. Holding the piping in place while directional and interior forces try to disrupt the system requires the highest level of rigid anchorage

» DUMMY LEGS \ TRUNNIONS

Dummy legs or Trunnions are used on sections of pipe as a support stand. They can also be a pipe branch that is added to a straight pipe, elbow or transition. They are best used when little to no movement is foreseen

» REPADS

As the name implies, reinforcing pads (repads) are used to add strength in locations where pipes intersect

» BASE & ANCHOR PLATES

Base and anchor plates are used to attach supporting steel to your piping foundation

» PIPE GUIDES & ANCHORS

Pipe guides that restrict movement in two directions are referred to as stops while anchors restrict movement in all 3 dimensions

» STRUCTURAL METAL SUPPORTS

Miscellaneous structural steel supports for bracing and arranging piping in pipe racks. Tee posts, knee braces and trapeze supports are generally custom-made for field installation

» CUSTOM METAL FABRICATIONS

Made to spec based on the customer's needs and drawings provided.

Epoxy System

EPOXY ADHESIVE (EX-100)

The Epoxy Adhesive is a flexible, two-part, epoxy with high overlap shear strength. It was developed for aerospace applications and is specifically formulated to bond light-weight composites to metallic materials. It does not become crystalline, is resistant to chemicals, shocks and extreme temperatures. It is certified for industrial, aircraft and aerospace applications and meets ASTM E8 specification.



STATIC MIXER (EX-200)

The Static Mixers are high quality devices used to ensure optimum performance of two-component adhesives by dividing and recombining the materials into a homogeneous stream. Our disposable spiral static mixer is used in conjunction with our epoxy adhesive to ensure that the two parts are mixed thoroughly enough for the base and accelerator to fully react to ensure maximum adhesion.



DUAL COMPONENT APPLICATOR (EX-500)

The Dual Component Applicator is a robust, metallic applicator that allows for epoxy to be dispensed easily and reliably at a constant ratio. The applicator removes issues with human error and cleanliness and will allow for a consistent installation every time. It can be reused over and over again and will fit most two-part 6oz adhesive cartridges. We recommend purchasing enough for each person doing installations to have a dedicated applicator.



EPOXY SPECIFICATIONS

COMPOSITION	Two-part epoxy
MISCELLANEOUS	Ultimate strength: 2,730 psi Bonding cure time: 24 hrs Size: 6 oz. cartridge

STATIC MIXER SPECIFICATIONS

COMPOSITION	Robust, light-weight plastic
MISCELLANEOUS	Pressure limit: 360 psi Mix ratio: 1-to-1

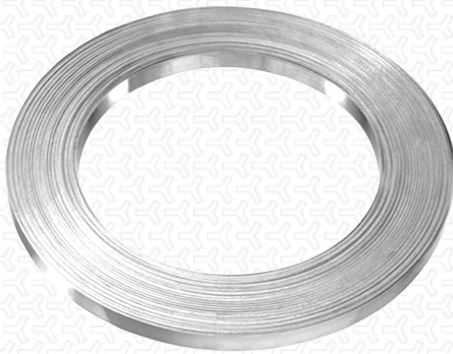
APPLICATOR SPECIFICATIONS

COMPOSITION	Metal assembly
MISCELLANEOUS	Mech. advantage: 18-to-1 Capacity: 75 ml x 75 ml

Banding System

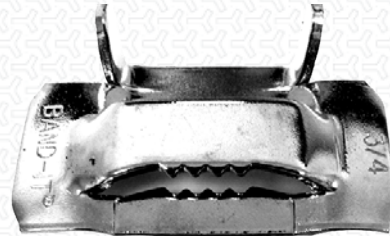
BANDING (BI-C206)

Stainless steel banding is used to secure our ProTek, CryoTek, and AeroTek product lines. We have chosen stainless steel for its corrosion resistance and longevity. The banding is made of type 201 stainless steel and comes in 100 foot rolls. It has been an industry standard for over 60 years with its superior yield and tensile strength properties.



BANDING CLIPS (BI-256)

Stainless steel banding clips are used to secure our ProTek, CryoTek, and AeroTek product lines. The banding clips are made of type 201 stainless steel and are designed to accommodate both single and double wrap bands. Their unique teeth and ears provide for maximum clamping strength.



BANDING TOOL (BI-C001)

The Banding Tool (BI-C001) is used to install our ProTek, CryoTek, and AeroTek product lines. It is a compact, portable and easy to use tool with tensioning capabilities of over 2,400 lbs. It has a spring loaded gripper, built in cutting lever, and an epoxy coating for durability.



BANDING SPECIFICATIONS

COMPOSITION	Type 201 Stainless Steel
MANUFACTURING SPECS	Band-It C204
MISCELLANEOUS	Pkg. quantity: 100-ft roll Strength: >1500 lbs of force

BANDING CLIPS SPECIFICATIONS

COMPOSITION	Type 201 Stainless Steel
MANUFACTURING SPECS	Band-It C256
MISCELLANEOUS	Package quantity: 100 clips Custom widths: 1/2" or 5/8"

BANDING TOOL SPECIFICATIONS

COMPOSITION	Metal assembly
MANUFACTURING SPECS	Band-It C001
MISCELLANEOUS	Tension capability: 2400 lbs Coating: Blue epoxy

RFQ Checklist

We get a lot of questions about creating requests for quotations (RFQs). Rightfully so, the bidding process, and sorting through the paperwork that goes along with it, can be a stressful time. If you're not used to the process, setting up an RFQ can seem daunting.

However, creating an accurate RFQ will save you time, headaches, and money in the long run. That's why we created this RFQ template. You can use it to get a better grasp on RFQs, build out your own request, and simplify the bidding process.

WHAT YOU SHOULD GET OUT OF EVERY RFQ

A well-crafted RFQ saves you extra work and helps you build better relationships with vendors at the same time. First, it should help the supplier get you accurate information. When it includes the right details, an RFQ can prevent delivery hang-ups, product disappointments, and overage costs. Overall, it should set clear expectations for you and your supplier.

At the same time, it can make it easy for you to compare suppliers and rank their value. Not only will it let you examine prices, but it will also help you weigh the costs of less tangible project items, like hitting deadlines, delivery options, and payment methods. At the end of the day, the information you get out of an RFQ will match the vision you have for your project and clarify the bidding process.

We understand that setting up a quality RFQ can be easier said than done. That's why we've designed this template to simplify that process. Follow this outline to create a final RFQ for any project:

GENERAL INFO

General info sets the table for the whole project. Being thorough here is important because it puts your needs and expectations out in the open. By including all the relevant general information, you can avoid rush fees, chaotic last-minute changes, and costly miscommunications.

What to include:

- Submission dates
- Deadline dates
- Closing dates
- Products you need
- Overall objectives
- Priorities and final selection criteria

QUALITY AND QUANTITY NEEDS

If you want the bidding process to go as smoothly as possible, you'll want all of your quotes to match up. At this point, chances are that you've done the research and know exactly what you need. Be sure to ask for it.

This means being as specific as possible. Is there a brand you need or do you have a list of preferred vendors? Do you know the material grade you require? By including precise quantities and laying out details about quality, your RFQ will make it easy to see which suppliers can deliver on your needs.

What to include:

- Quantity of product you need
- Quality grade
- Preferred brands
- Product numbers
- Additional parts requirements

DELIVERABLE DETAILS

Clearly listing the exact deliverables you need will keep you from costly disasters down the line. Plus, let's face it, saving big money on a product doesn't matter much if you don't have it when you need it.

Across the board, make sure you include the particulars: project timelines, exact dimensions, and where delivery should take place. At the same time, include any special instructions, such as whether you need pre-authorization to ship products or that there's a special contact.

What to include:

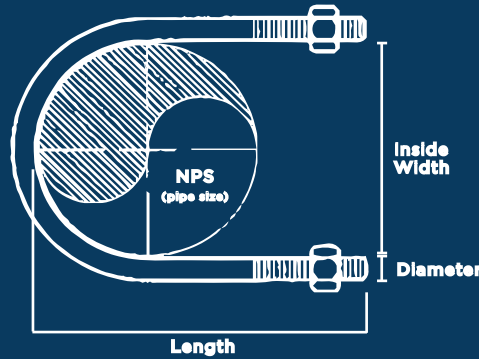
- When they will deliver
- Where they will deliver
- Shipping terms
- Project timelines
- Drawings
- Assembly requirements
- Special instructions

PROTEK WEAR PADS			
NPS	Thickness	Degree	Length
1/4"	1/4"	90°	12"
3/4"	1/4"	90°	12"
1"	1/4"	90°	12"
1-1/2"	1/4"	90°	12"
2"	1/4"	90°	12"
2-1/2"	1/4"	90°	12"
3"	1/4"	90°	12"
4"	1/4"	90°	12"
6"	1/4"	60°	12"
8"	1/4"	60°	12"
10"	1/4"	60°	12"
12"	1/4"	30°	12"
14"	1/4"	30°	12"
16"	1/4"	30°	12"
18"	1/4"	30°	12"
20"	1/4"	30°	12"
22"	1/4"	30°	12"
24"	3/8"	30°	12"
30"	3/8"	30°	12"
36"	3/8"	30°	12"

U-BOLTS (Anvil Fig. 137 EQ)			
NPS	Diameter	Inside W	Length
1/2"	1/4"	15/16"	3-5/16"
3/4"	1/4"	1-1/8"	3-7/16"
1"	3/8"	1-3/4"	3-3/4"
1-1/4"	3/8"	1-3/4"	3-3/4"
1-1/2"	3/8"	2"	4"
2"	3/8"	2-7/16"	4-9/16"
2-1/2"	1/2"	3"	5-3/16"
3"	1/2"	3-5/8"	5-3/4"
3-1/2"	1/2"	4"	6-3/8"
4"	1/2"	4-5/8"	6-3/4"
5"	1/2"	5-5/8"	8"
6"	5/8"	6-3/4"	9-7/16"
8"	5/8"	8-3/4"	11-7/16"
10"	3/4"	10-7/8"	13-3/4"
12"	1/4"	12-7/8"	16"
14"	7/8"	14-1/4"	17-1/4"
16"	7/8"	16-1/4"	19-1/4"
18"	7/8"	18-1/4"	21-5/8"
20"	1"	20-1/4"	24-5/8"
22"	1"	22-1/4"	25-5/8"
24"	1"	24-1/4"	27-5/8"
30"	1"	30-1/4"	35"
36"	1"	36-1/4"	40-1/4"

PROTEK PIPE SHOES		
NPS	BOP	Length
1/2"	4"	12"
3/4"	4"	12"
1"	4"	12"
1-1/2"	4"	12"
2"	4"	12"
3"	4"	12"
4"	4"	14"
4"	6"	18"
6"	4"	14"
6"	6"	18"
8"	4"	14"
8"	6"	18"
10"	4"	14"
10"	6"	18"
12"	4"	14"
12"	6"	18"
14"	4"	14"
14"	6"	18"
16"	4"	14"
16"	6"	18"
18"	4"	14"
18"	6"	18"

PROTEK FLAT PLATES			
NPS	Thickness	Width	Length
1/2" - 3/4"	1/8"	5"	1/2"
1"	1/8"	5"	3/4"
1-1/2" - 2"	1/8"	5"	1"
2-1/2"	1/8"	5"	1-1/2"
3"	1/8"	5"	2"
4"	1/8"	5"	3"
6"	1/8"	5"	5"
8"	1/8"	5"	7"
10"	1/8"	5"	9"
12"	1/8"	5"	11"
14"	1/8"	5"	13"
16"	1/8"	5"	15"
18"	1/8"	5"	17"
20"	1/8"	5"	19"
22"	1/8"	5"	21"
24"	1/8"	5"	23"
30"	1/8"	5"	29"
36"	1/8"	5"	35"



CRYOTEK PIPE SHOES			
NPS	Width	Length	Flange
0.75" - 2.5"	1.5"	12"	2"
3" - 4"	3.5"	18"	1.5"
6" - 8"	5"	18"	1.5"
10" - 12"	10"	18"	1.5"
14"	10"	24"	1.5"
16" - 20"	14"	24"	1.5"
24"	20"	24"	1.5"
26" - 28"	20"	30"	1.5"
30" - 36"	24"	30"	1.5"
38" - 44"	30"	30"	1.5"
48" - 52"	39"	30"	1.5"
54" - 60"	43"	30"	1.5"
66"	50"	30"	1.5"
72"	54"	30"	1.5"



Contact us at 1.888.408.9872 or learn more at appmfg.com.



MANUFACTURING

5611 Cuhn Road, Suite A1
Houston, Texas 77040
713.956.2922 | 1.888.408.9872
appmfg.com

